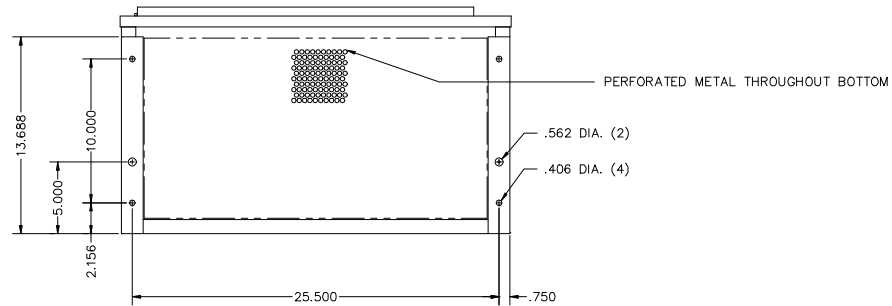
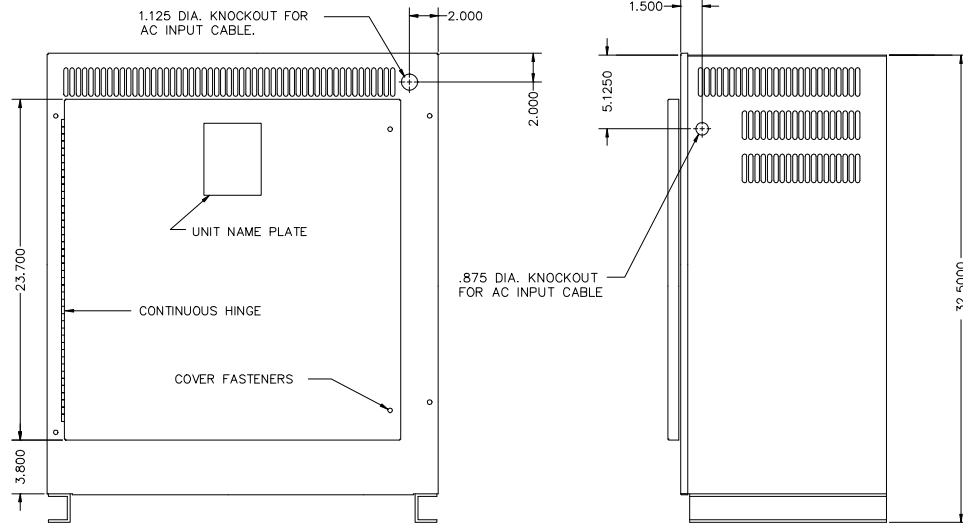
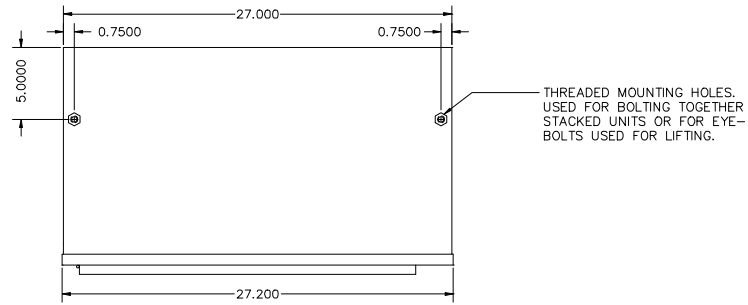
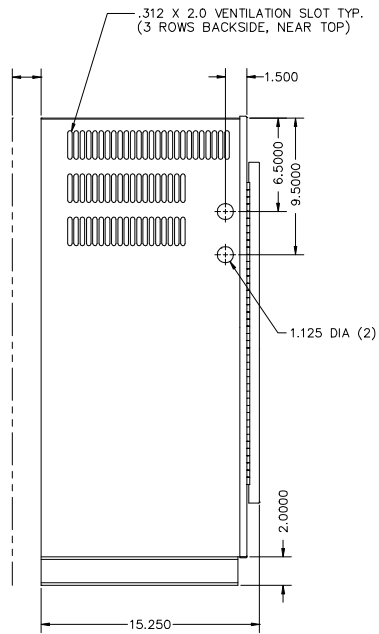


2" MIN. WALL CLEARANCE  
REQ'D FOR REAR VENTS



MATERIAL: HOUSING-14 GA. SHEET STEEL  
DOOR-16 GA. SHEET STEEL  
PAINT: ANSI-61 GRAY  
ALL DIMENSIONS GIVEN IN INCHES.

REDRAWN ON CAD						SBB RRS TED		03-29-00		03-29-00		13818		
Rev Description						By	Chk	App	Rev Date	Rev Iss Date	ECN No			
MOUNTING DIMENSIONS FOR A NO. 8A CASE WITH A STANDARD DOOR														
106 Bradrock Drive Des Plaines, Illinois U.S.A. 60018														
Dwg By J.S.A.			App By RRS			App By TOS								
Dwg Date 06-22-87			Iss Date 06-22-87			Scale NONE								
Sheet 1 of 1		Size C		Dwg No D8A										