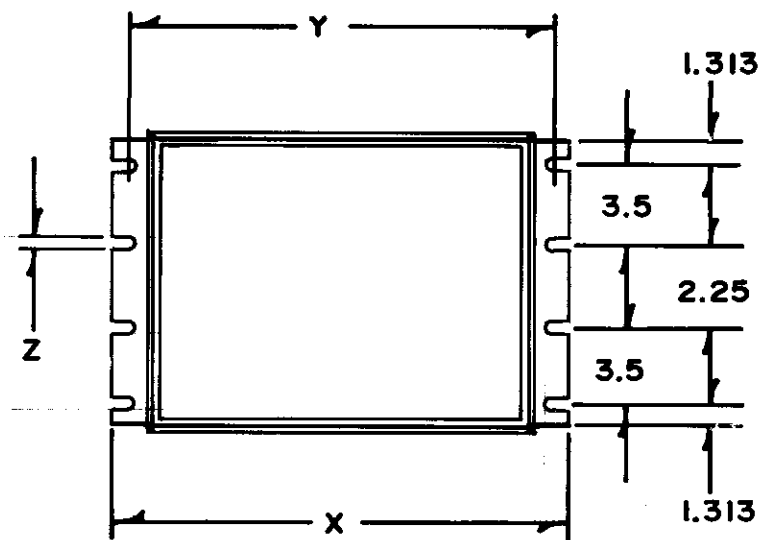
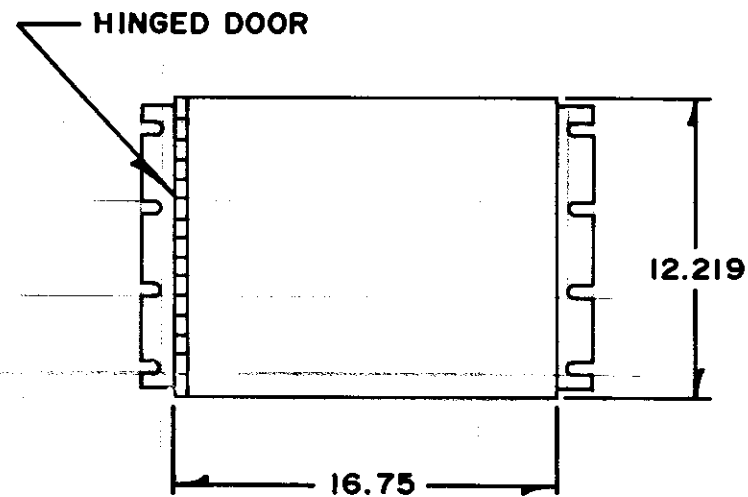
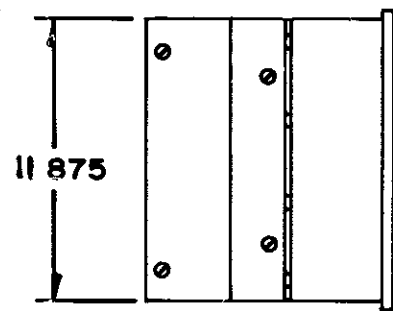
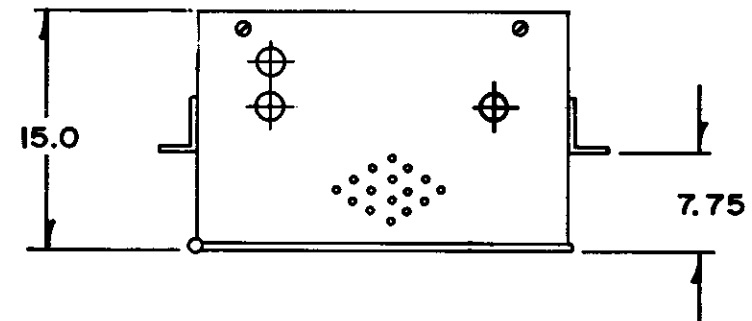
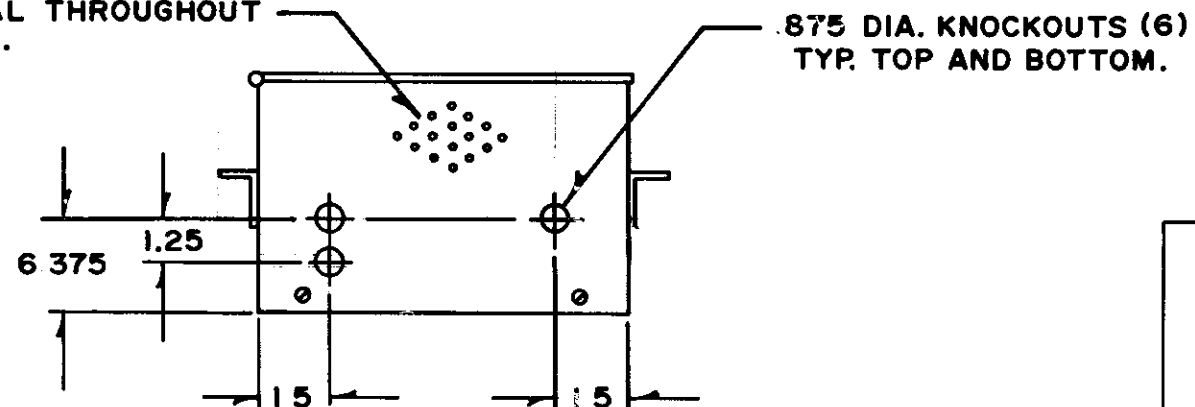


CASE	MTG.	X	Y	Z
4B	19" R.R.	19.0	18.25	.266
4B-23	23" R.R.	23.0	22.25	.266



PERFORATED METAL THROUGHOUT
TOP AND BOTTOM.



.875 DIA. KNOCKOUTS (6)
TYP. TOP AND BOTTOM.

MATERIAL:
DOOR: 16 GA. SHEET STEEL
HOUSING: 14 GA. SHEET STEEL
FINISH: ANSI 6I GREY
ALL DIMENSIONS GIVEN IN INCHES.

MOUNTING DIMENSIONS OF
NO. 4B CASE

LA MARCHE MFG. CO.
106 BRADROCK DR., DES PLAINES, ILL.

DWG. BY **EW** APP. BY *EW* APP. BY *EW*
DWG. DATE **2-21-84** ISS. DATE **2-21-84** SCALE

4-26-84 4-26-84 ECN 3882
3-9-84 3-9-84 ECN 3814
REV. DATE REV. ISS. DATE ISS. NO.

SHEET **1** of **1** SIZE **B** DWG. NO. **D4B**