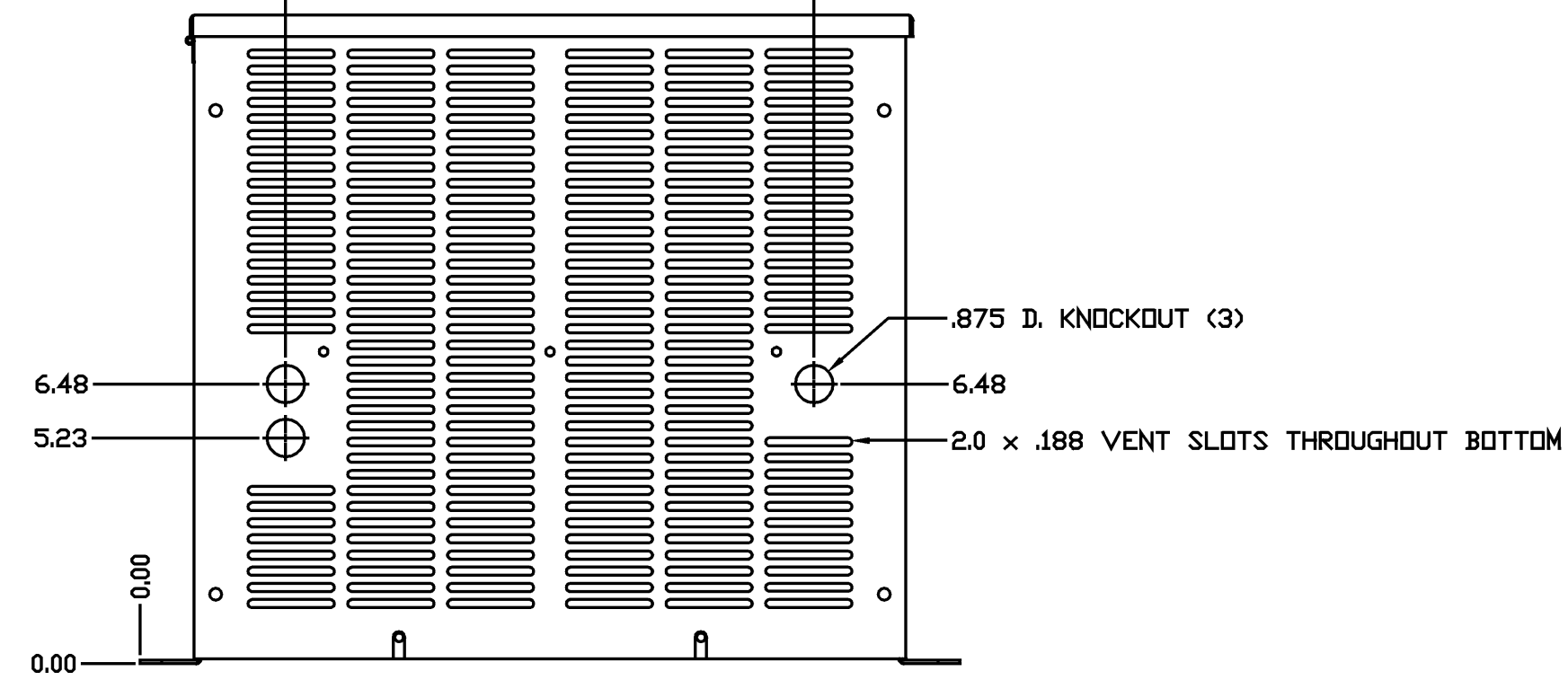
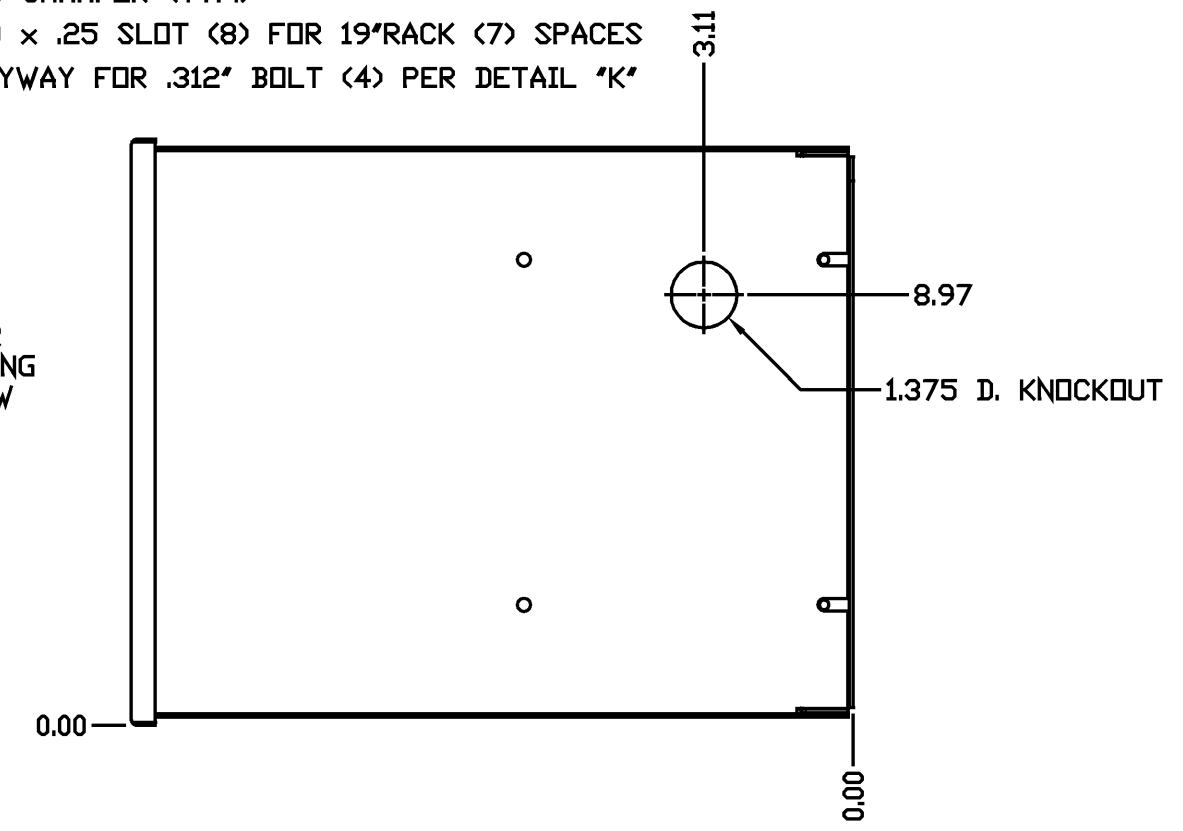



- .562 D. (2) FOR LIFTING
- .50 CHAMFER (TYP.)
- .50 x .25 SLOT (8) FOR 19" RACK (7) SPACES
- KEYWAY FOR .312" BOLT (4) PER DETAIL "K"



NEW DRAWING						MOUNTING DIMENSIONS OF 4B CASE PRI. HOUSING FOR A75		
						 106 Bradrock Drive Des Plaines, Illinois U.S.A. 60018		
WRH	RRS	TED	06-19-07	06-19-07	17519	Dwg By	App By	App By
						06-19-07	06-19-07	NOTED
Rev Description						Sheet	Size	Dwg No
						1 of 1	C	D4B-75