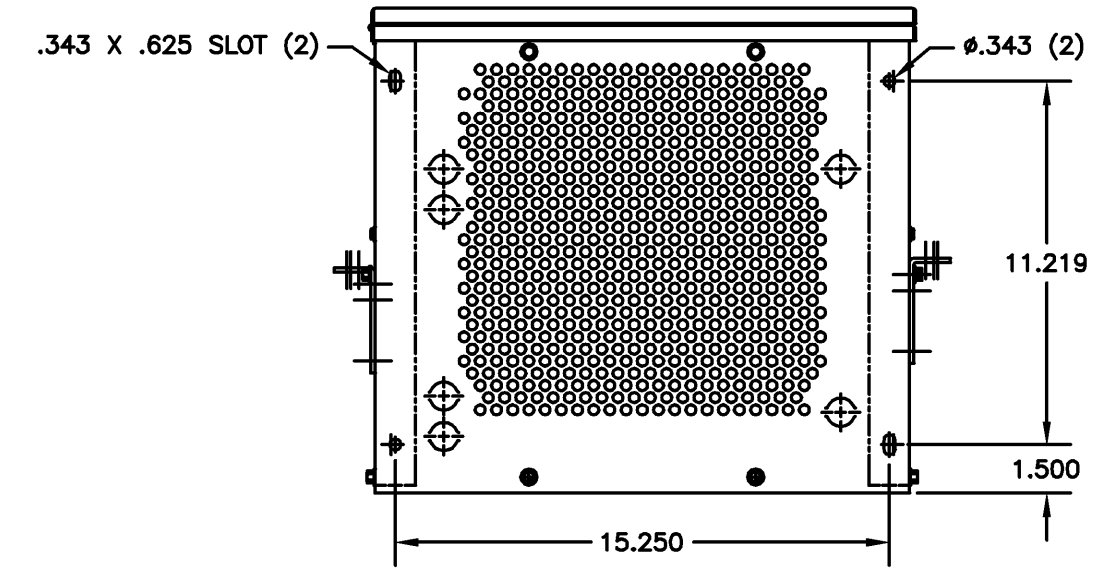
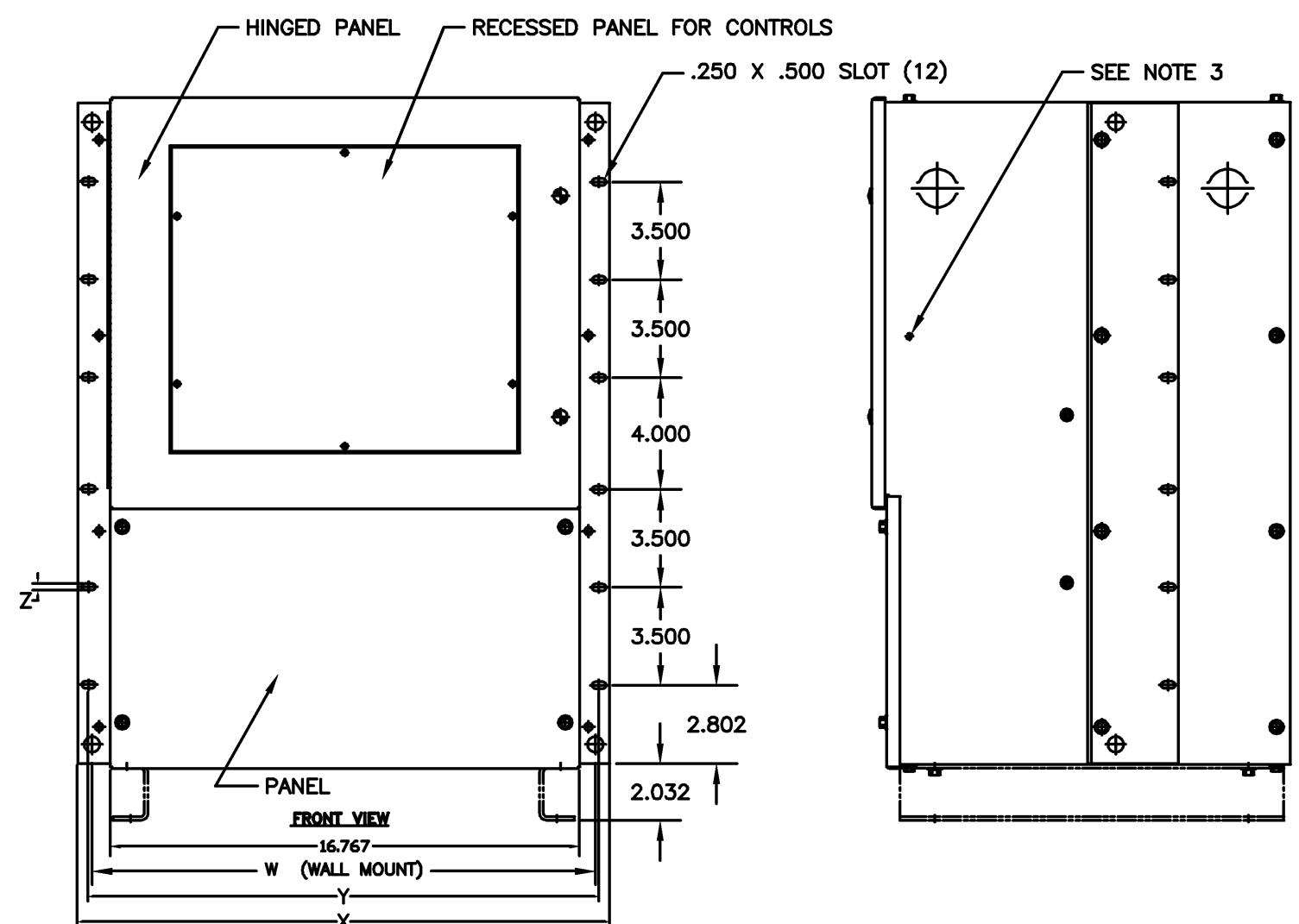
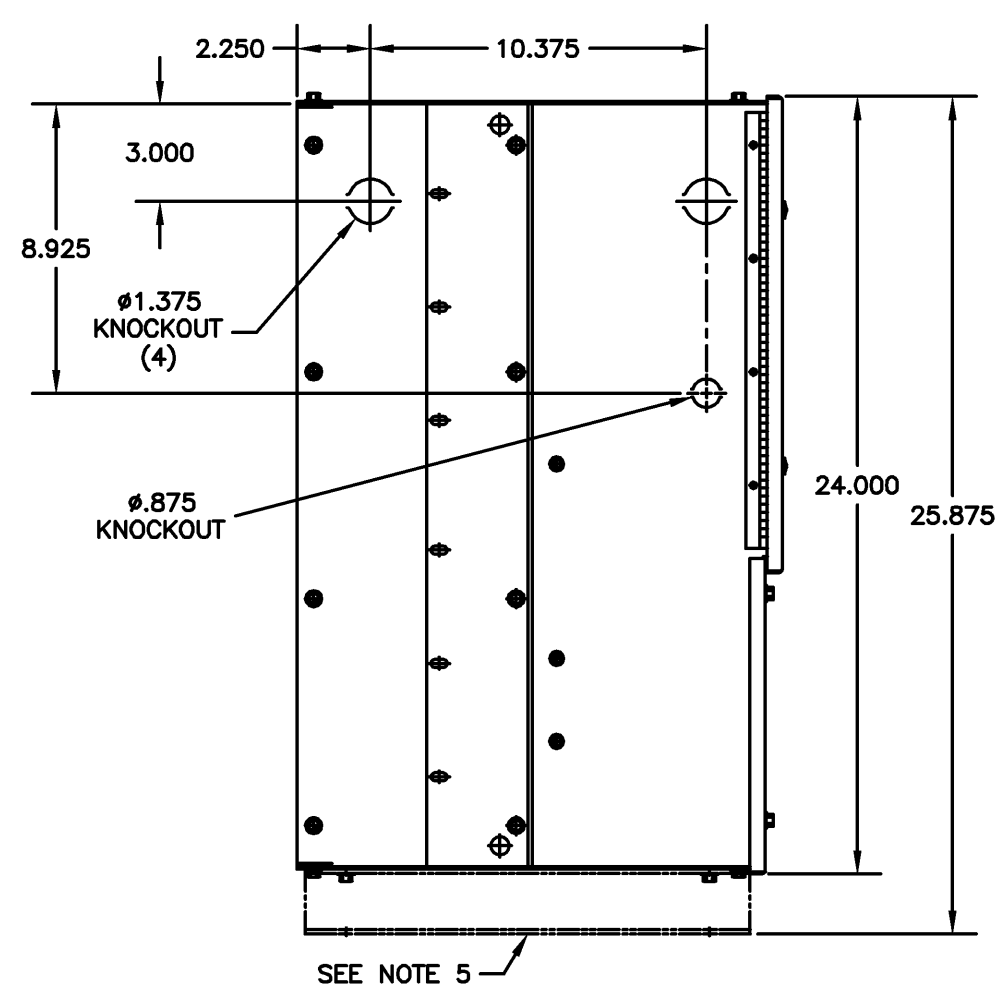
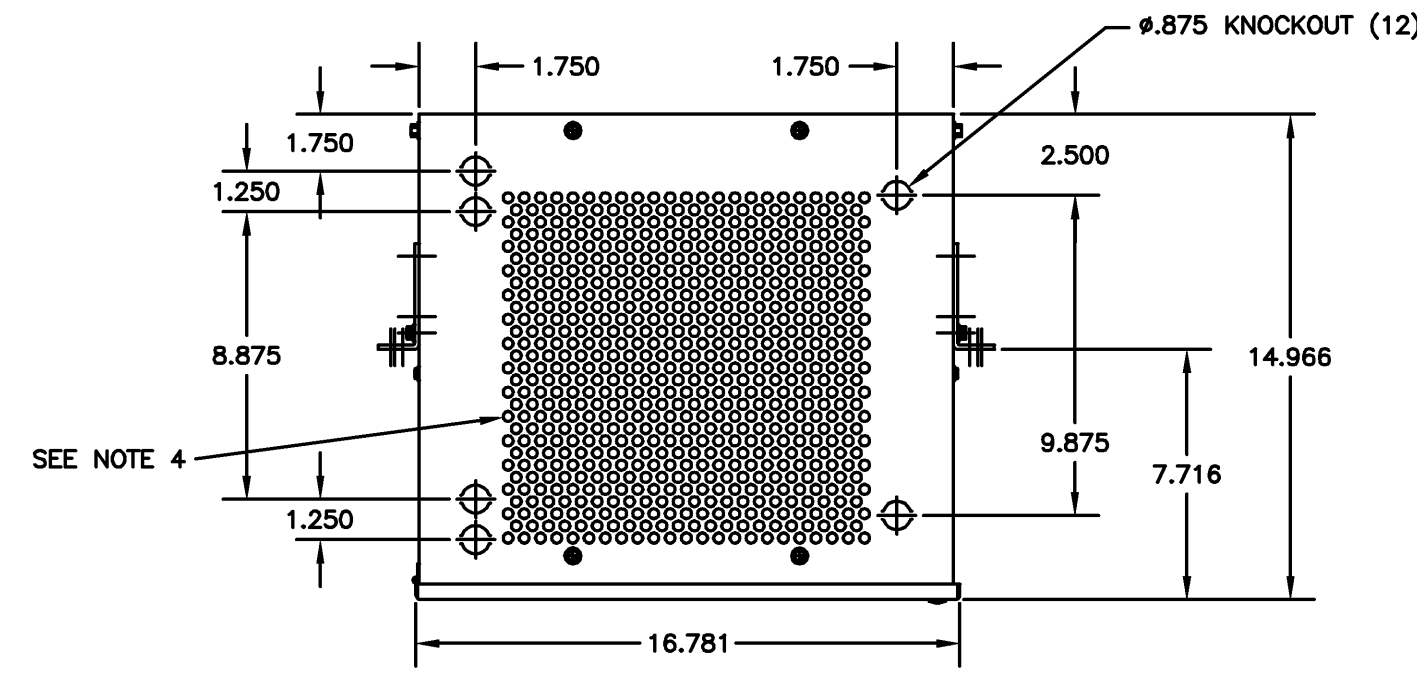


CASE	MTG.	W	X	Y	Z
4	19" R.R.	18.00	19.0	18.25	.250
4-23	23" R.R.	---	23.0	22.25	.250



- NOTES:**
- MATERIAL:**
HOUSING: 14 GAGE SHEET STEEL
DOOR: 16 GAGE SHEET STEEL
BOTTOM PANEL: 16 GAGE SHEET STEEL
RECESS PANEL: 16 GAGE SHEET STEEL
MOUNTING RAILS: 10 GAGE SHEET STEEL
FLOOR MOUNTING BRACKETS: 10 GAGE SHEET STEEL
 - FINISH:**
HOUSING: ANSI GREY
DOOR: ANSI GREY
BOTTOM PANEL: ANSI GREY
MOUNTING RAILS: ANSI GREY
FLOOR MOUNTING BRACKETS: ANSI GREY
RECESS PANEL: DARY GREY
 - 10-32 X .625 WELDSTUD ON INSIDE OF CASE
 - PERFORATED METAL ON TOP AND BOTTOM
 - OPTIONAL FLOOR MOUNTING BRACKETS SHOWN IN PHANTOM

MOUNTING DIMENSIONS FOR NEW #4 CASE					
 106 Bradrock Drive Des Plaines, Illinois U.S.A. 60018					
Dwg By	JAF	App By	RRS	App By	TED
Dwg Date	11-17-00	Iss Date	11-17-00	Scale	1:4
Sheet	1 of 1	Size	D	Dwg No	D4-7
ADD DIMENSION CHART (R0) ADDED .875 DIA KNOCKOUT TO LEFT SIDE		By	Chk	App	Rev Date
Rev	Description	By	Chk	App	Rev Date
CWO	RRS	TED	07-26-06	07-26-06	17228
SBB	RRS	TED	06-24-02	06-24-02	15455
Rev	Iss Date	ECN No			